

Project:

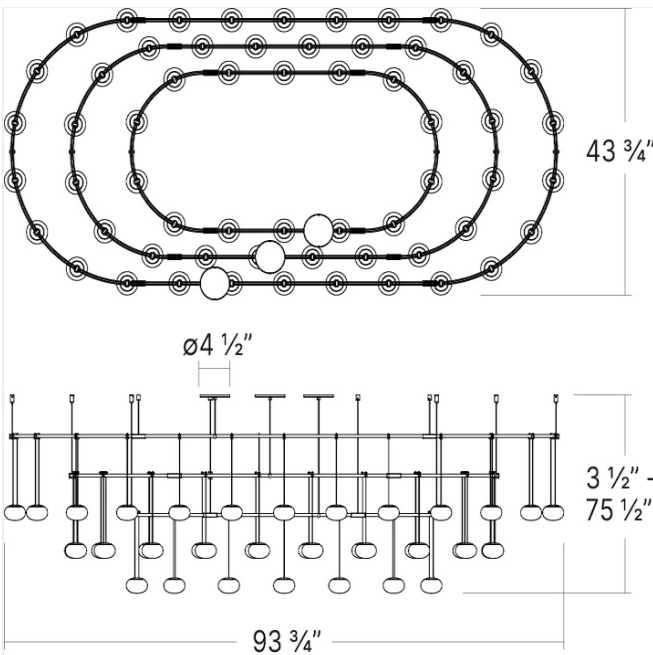
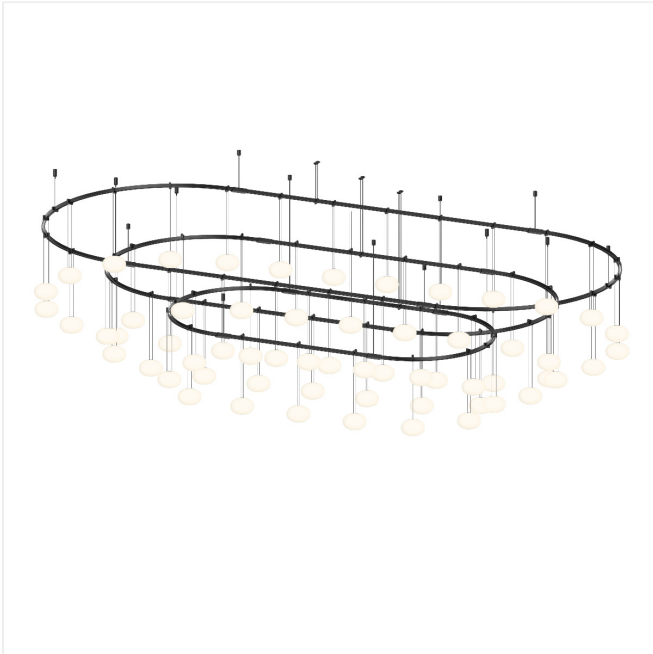
Suspenders Path 3- Bar Racetrack w/Height Adjustable Etched Globe Luminaires Spec Sheet

SKU: SLS4238-K

The Suspenders Path 3-Bar Racetrack configuration is one of our first Suspenders configurations to embrace softer shapes. This configuration features soft Etched Globe luminaires. The hanging height of each luminaire is adjustable, allowing for customizability for your project. The outer ring measures 40" x 88". This Suspenders configuration is available in a black or white finish.

Learn more: <https://sonnemanlight.com/suspenders-path-3-bar-racetrack-w-height-adjustable-etched-globe-luminaires>

Type #:



Dimensions

Height:	2.5"
Width:	43.75"
Length:	93.75"
Canopy/Backplate/Base:	4.5
Hanging Details:	6' Adj. Cords/Cables
Canopy/Backplate/Base Height:	0.5

Electrical Specs

Bulb(s) Included?:	Yes
Bulb 1 Type:	Etched Globe w/20' Cables
Bulb Quantity:	60
Input Voltage:	120VAC
Wattage:	330
Initial Lumens:	36300
Delivered Lumens:	21780
Kelvin:	3000K
CRI:	90
Power Supply Type:	Transformer
Power Supply Quantity:	3
Power Supply Location:	Remote
Dimming Type:	ELV

Installation

Installation:	Licensed electrician required, multi-step installation
Sloped Ceiling Compatible?:	Adapter Available up to 45°
Cord Length:	6' Adj. Cords/Cables
Minimum Hanging Height:	3.5"
Maximum Hanging Height:	75.5"

Shade

Shade Material:	Etched Cased Glass
Shade 1 Color:	White

General Listings

Certification:	C-ETL-US
Color/Finish:	Satin Black (.25)

Available Finishes

Available Finishes:	Satin Black (.25), Satin White (.03)
---------------------	--------------------------------------

Available Color Temperatures

Available Color Temperatures:	3000k
-------------------------------	-------